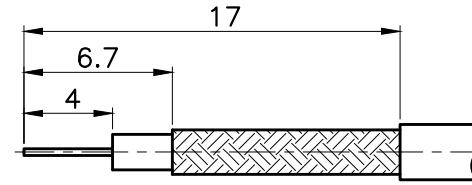
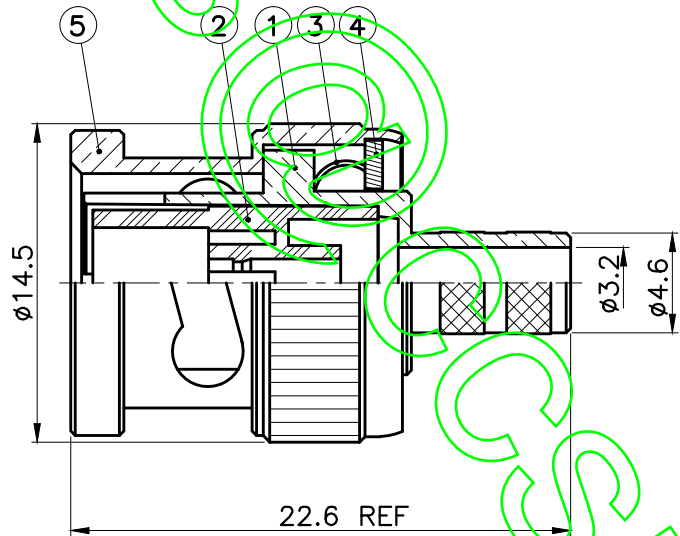


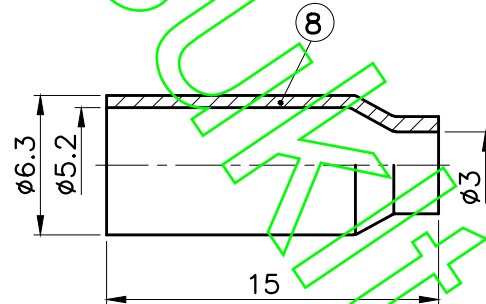
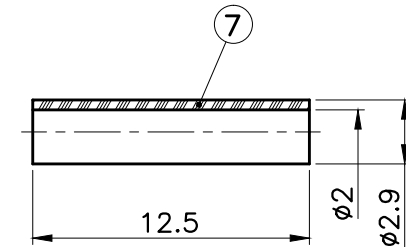
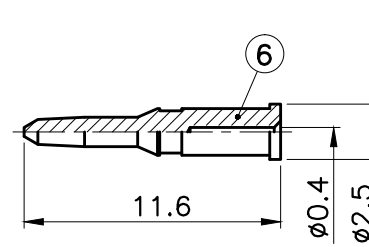
REVISIONS		
ISS	DESCRIPTION	DATE

B002D179-0.4

RoHS COMPLIANT



RECOMMENDED  
CABLE STRIPPING DIM'S



1. CRIMPED FERRULE  
HEX CRIMP SIZE .213"
2. CRIMPED CONTACT PIN  
HEX CRIMP SIZE .068"

TITLE: BNC MALE CRIMP (FOR RG179/U) PART NO: BPCR179D	APRD:	UNLESS OTHERWISE SPECIFIED TOLERANCES 0.5-6 = ±0.2 >6-30 = ±0.4 >30-120 = ±0.6 >120-315 = ±1 >315-1000 = ±1.6 ANGLES = ±5°	8 FERRULE	BRASS	NICKEL
	CHKD:		7 SPACER	DELIN	WHITE
	DR:		6 CONTACT PIN	BRASS	GOLD
	DATE: 03/10/11"	UNIT: mm	5 SHELL	ZINC ALLOY	NICKEL
	SHEET: .	SCALE: 3/1	4 WASHER	STEEL	NICKEL
			3 SPRING	SK-5	NICKEL
			2 INSULATOR	DELIN	WHITE
			1 BODY	ZINC ALLOY	NICKEL
			NO. DESCRIPTION	MATERIAL	FINISH